

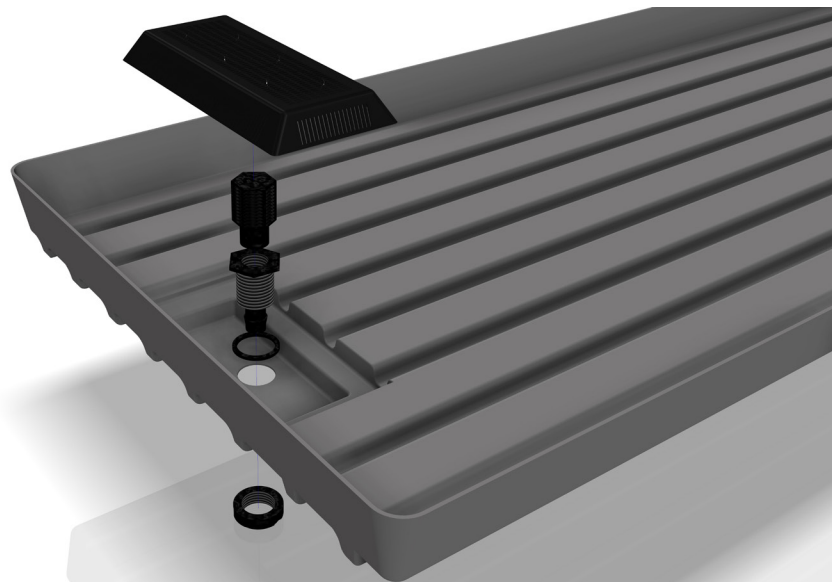


INNOVATIVE GROWERS EQUIPMENT INC.

HYDROFARM COMMERCIAL
DIVISION

FILTER AND FITTINGS INSTRUCTIONS

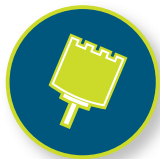
Complete Instructional Guide



TOOLS NEEDED FOR ASSEMBLY



DRILL



1-3/8" HOLE SAW DRILL BIT



Call 815-991-5010 or email us at support@innovativegrowersequipment.com if you have any questions

INNOVATIVEGROWERSEQUPMENT.COM

PARTS LIST

CONFIRM ALL PARTS ARE PRESENT BEFORE STARTING INSTALLATION



BENCH FILTER



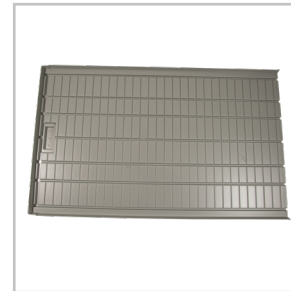
BENCH SCREEN



**BENCH OUTLET
CONNECTOR**

Consists of:

- *1x Rubber Gasket*
- *1x Slit Joint Nut*
- *1x Barbed Fitting*



**EBB AND FLOW
PLASTIC TRAY**

FOLLOW INSTRUCTIONS BELOW

STEP #1

Using a 1-3/8" hole saw drill bit, drill a hole in the ebb and flow plastic tray in one of three locations indicated by a small dimple in the plastic tray well.

STEP #2

Place the Rubber Gasket from the Bench Outlet Connector on the inside of the tray and put the Barbed Fitting through the Rubber Gasket and the 1-3/8" drilled hole.

STEP #3

Use the Slip Joint Nut provided to secure the Bench Outlet Connector from beneath the tray. Ensure it is tightly fastened to prevent any potential leaks.

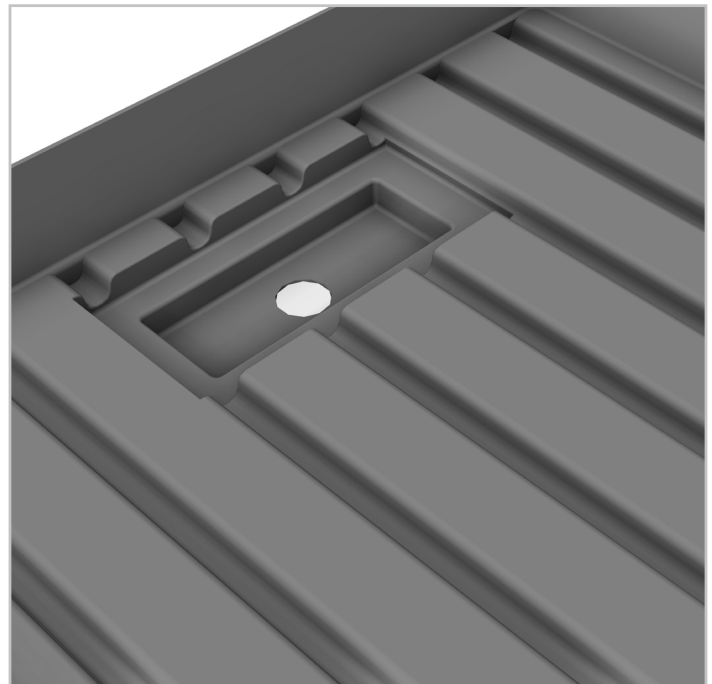
STEP #4

Screw the Bench Screen into the Barbed Fitting.

STEP #5

The Bench Filter snaps into the rectangular indentation in the tray.

NOTE: There are three circular logo pieces that can be popped out of the filter to allow for additional valve types to stick through the Bench Filter.





CONGRATULATIONS
YOUR FILTER AND FITTINGS ARE
COMPLETE!

