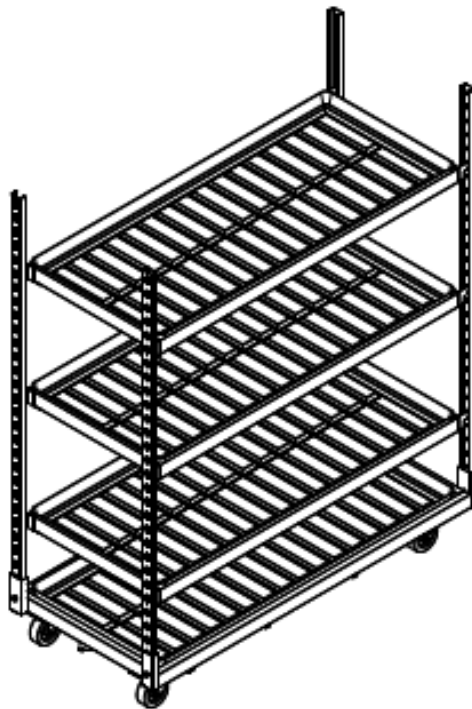







CLONE CART ASSEMBLY INSTALLATION

Complete Instructional Guide



TOOLS NEEDED FOR INSTALLATION

	9/16" WRENCH or SOCKET
 <p>Mallet</p>	MALLET
	TAPE MEASURE



PARTS LIST

CONFIRM ALL PARTS ARE PRESENT BEFORE STARTING INSTALLATION

	<p style="text-align: center;">(1) - CLONE CART</p>
	<p style="text-align: center;">(3) - SHELVING</p>
	<p style="text-align: center;">(4) - UPRIGHTS</p>
	<p style="text-align: center;">(4) – 3/8-16 x 7/8 HARDWARE</p>
	<p style="text-align: center;">(4) – 3/8-16 SPRING NUT</p>

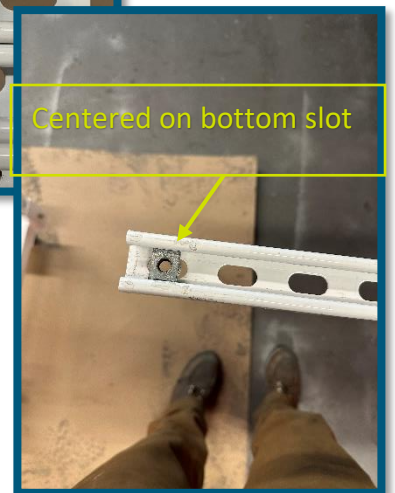
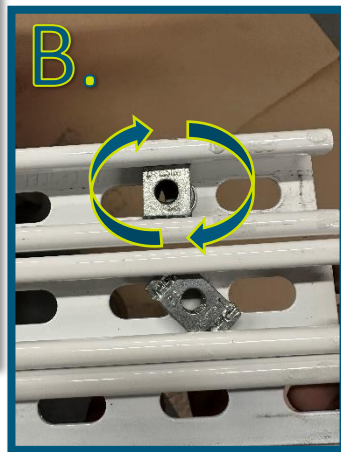
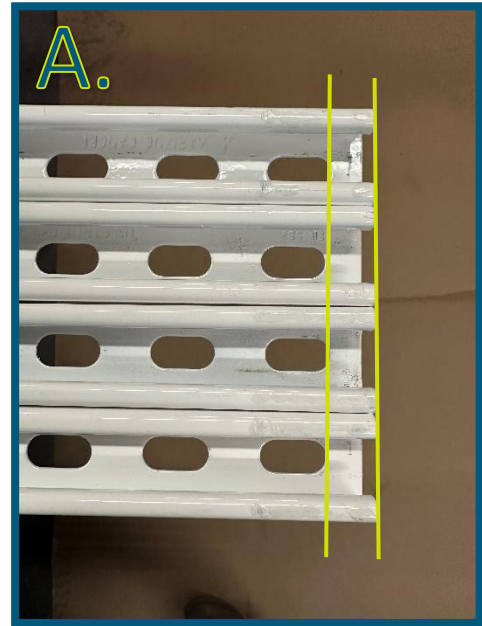
FOLLOW INSTRUCTIONS BELOW

STEP #1 INSERTING UPRIGHTS.

Start by laying (4) Uprights on a flat surface parallel to each other. Confirm that upright slots are the same distance from the end. *Shown Fig. A.*

Note: if slots are not aligned shelves will not be level.

Locate (4) Spring Nuts that are included in your assembly kit. Insert spring nuts with spring facing down, **centered** on bottom slot, by pressing into place and turning spring nut clock wise. *Shown Fig. B*



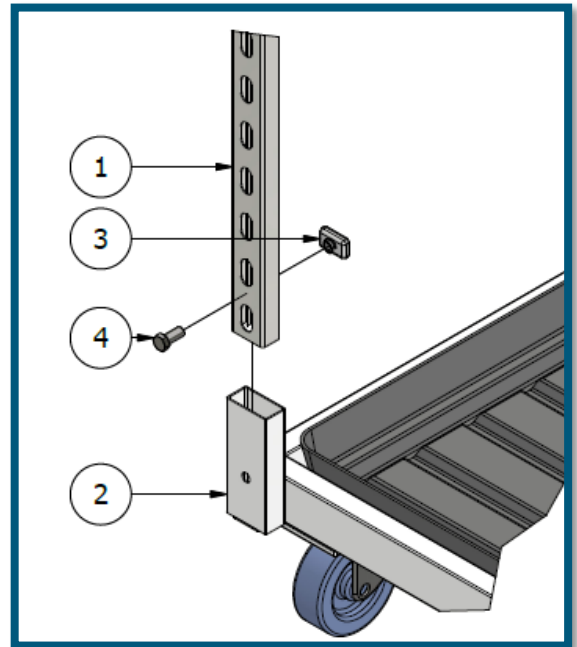
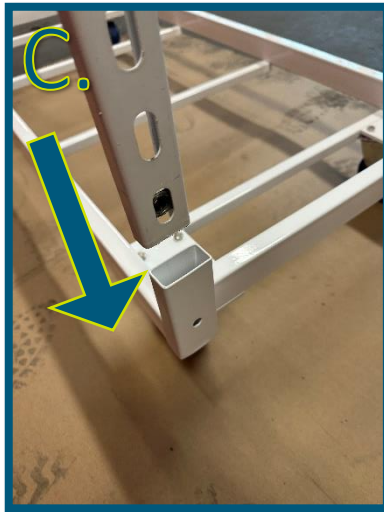
CLONE CART ASSEMBLY INSTRUCTIONS

STEP #2 INSTALLING UPRIGHT

Slide upright into the base unit upright holder. Align spring nut with hardware hole and thread the supplied 3/8-16 x 7/8 hardware. *Shown Fig. C.*

Repeat this step with remaining uprights.

Note: Do not tighten hardware During this step



STEP# 3 INSTALL SHELVING

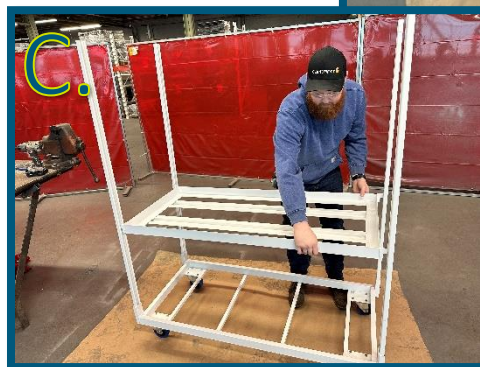
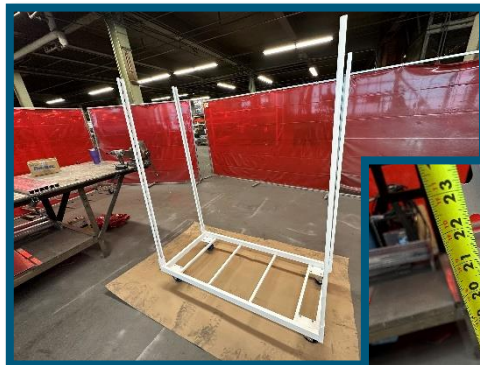
With **all** uprights in place, pull a tape measure and mark desired heights starting with **bottom shelf first**.

Note: Placing a small mark on inside of upright will help insure of level shelves.

When setting shelves in place, orientate shelf to match base unit, Hook one end followed by the second end. *Shown Fig D.*

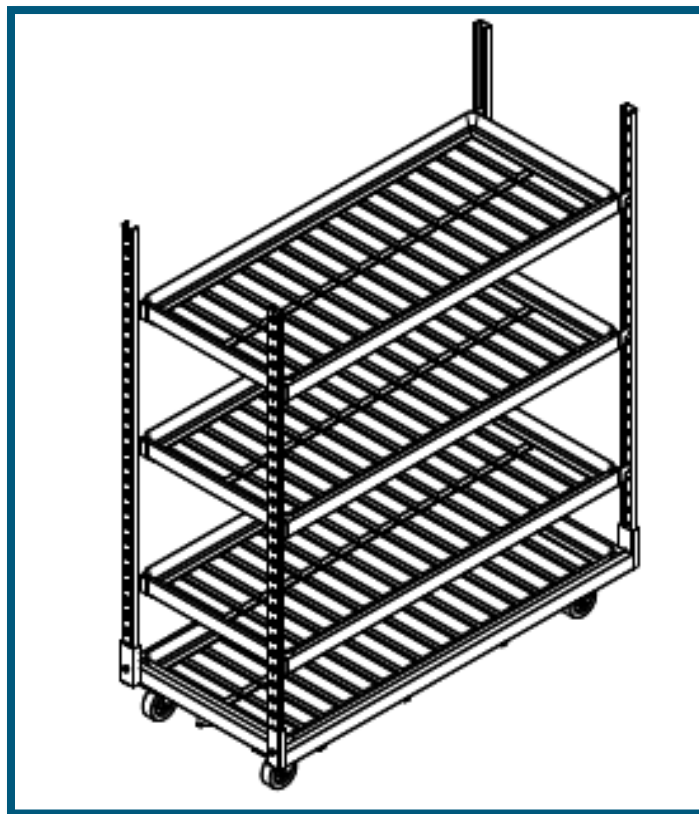
Repeat this step for the remaining shelves.

Once all shelves have been installed, tighten all hardware.





CONGRATULATIONS
YOUR MOBLE CLONE
CART UNITS HAVE BEEN
ASSEMBLED !



Call 815-991-5010 or email us at sales@innovativegrowersequipment.com if you have any questions