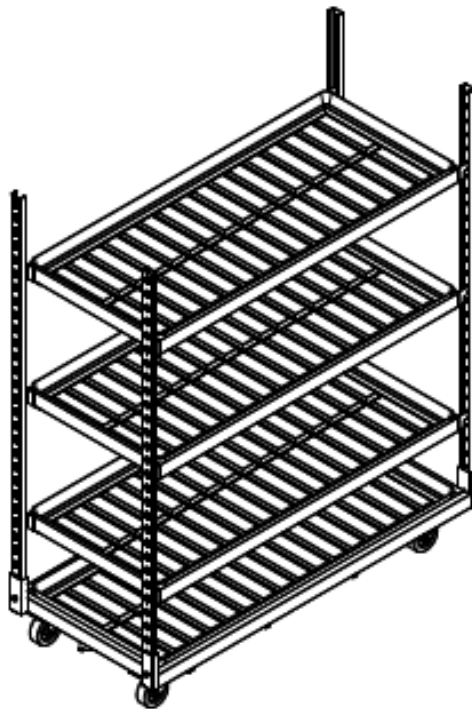







## CLONE CART ASSEMBLY INSTALLATION

### Complete Instructional Guide



# TOOLS NEEDED FOR INSTALLATION

	<b>9/16" WRENCH or SOCKET</b>
 <p>Mallet</p>	<b>MALLET</b>
	<b>TAPE MEASURE</b>



**PARTS LIST**  
CONFIRM ALL PARTS ARE PRESENT BEFORE STARTING INSTALLATION

	<p><b>(1) - CLONE CART</b></p>
	<p><b>(3) - SHELVING</b></p>
	<p><b>(4) - UPRIGHTS</b></p>
	<p><b>(4) – 3/8-16 x 7/8 HARDWARE</b></p>
	<p><b>(4) – 3/8-16 SPRING NUT</b></p>



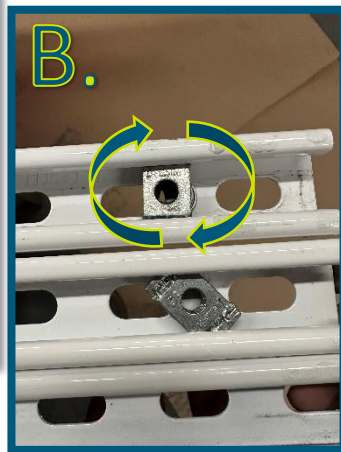
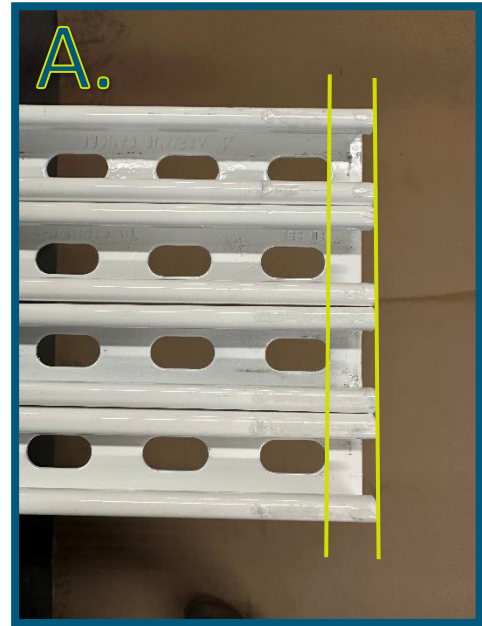
## FOLLOW INSTRUCTIONS BELOW

### STEP #1 INSERTING UPRIGHTS.

Start by laying (4) Uprights on a flat surface parallel to each other. Confirm that upright slots are the same distance from the end. *Shown Fig. A.*

*Note: if slots are not aligned shelves will not be level.*

Locate (4) Spring Nuts that are included in your assembly kit. Insert spring nuts with spring facing down, **centered** on bottom slot, by pressing into place and turning spring nut clock wise. *Shown Fig. B*



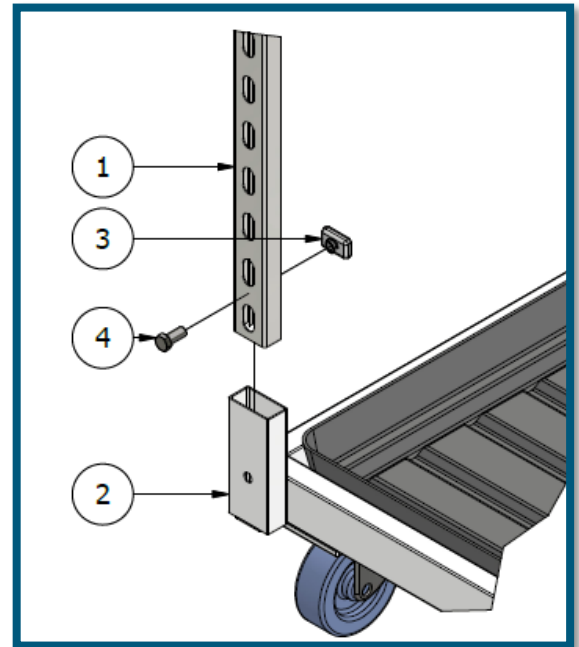
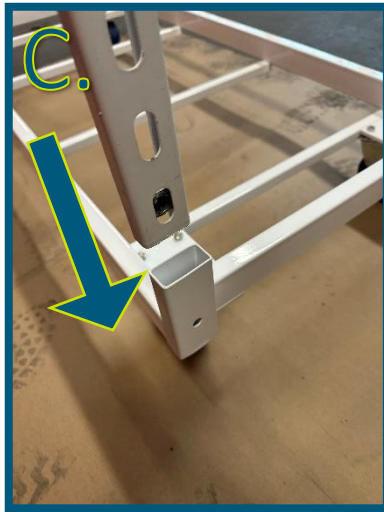
## CLONE CART ASSEMBLY INSTRUCTIONS

### STEP #2 INSTALLING UPRIGHT

Slide upright into the base unit upright holder. Align spring nut with hardware hole and thread the supplied 3/8-16 x 7/8 hardware. *Shown Fig. C.*

Repeat this step with remaining uprights.

*Note: Do not tighten hardware During this step*



### STEP# 3 INSTALL SHELVING

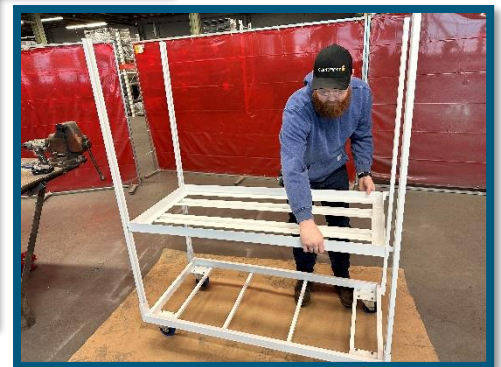
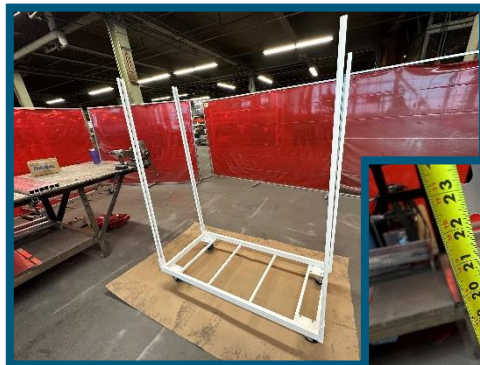
With **all** uprights in place, pull a tape measure and mark desired heights starting with **bottom shelf first**.

*Note: Placing a small mark on inside of upright will help insure of level shelves.*

When setting shelves in place, orientate shelf to match base unit, Hook one end followed by the second end. *Shown Fig D.*

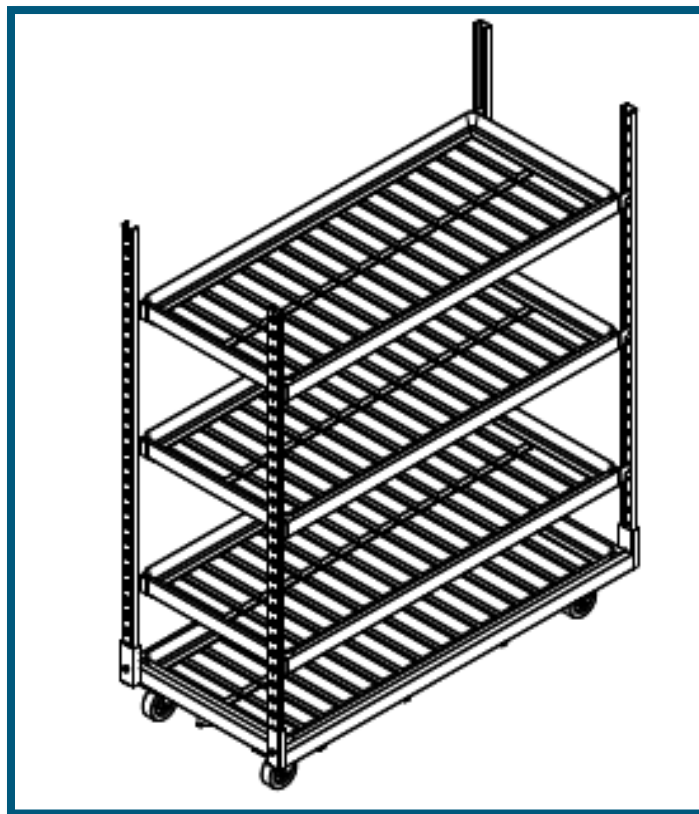
Repeat this step for the remaining shelves.

Once all shelves have been installed, tighten all hardware.





**CONGRATULATIONS**  
**YOUR MOBLE CLONE**  
**CART UNITS HAVE BEEN**  
**ASSEMBLED !**



Call 815-991-5010 or email us at [sales@innovativegrowersequipment.com](mailto:sales@innovativegrowersequipment.com) if you have any questions