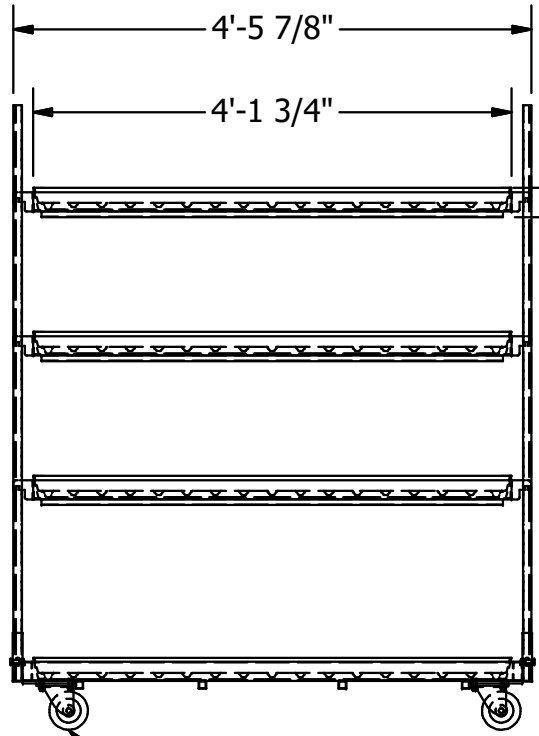


2

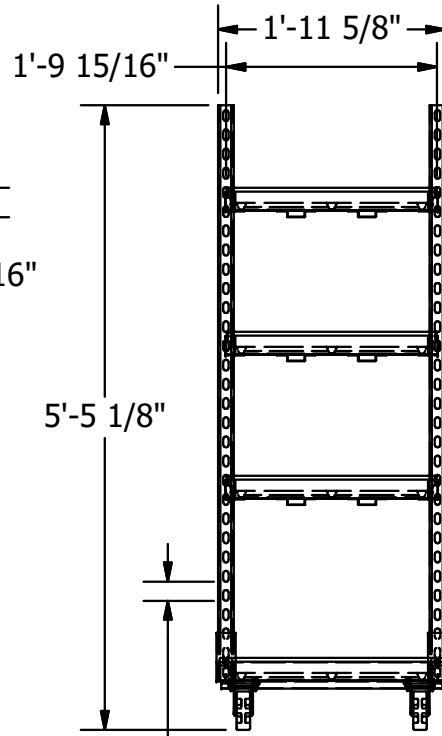


1

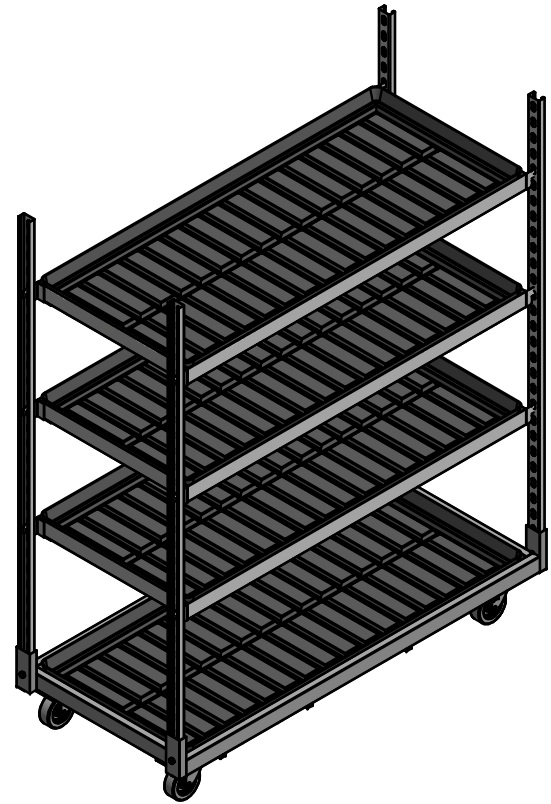
B



2x Fixed Caster
2x Swivel Caster

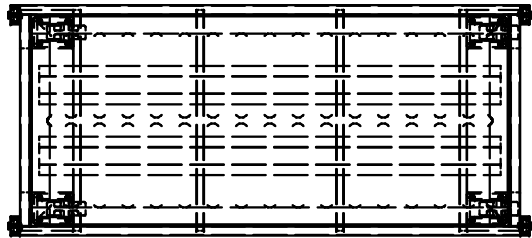


2" TIER ADJUSTABILITY



B

A



A

DRAWN: T.FELTZ	DATE: 6/29/2022
UNLESS OTHERWISE SPECIFIED DIM. ARE IN INCHES TOL. ON LINEAR (DECIMAL) FRACTIONAL X.X ± 0.3 ± 1/16 X.XX ± 0.06 BEND ± 1° X.XXX ± 0.005 RADIUS ± 1/16 TOL. ON ANGLE: ± 0.5° HOLES ± 1/16 INTERPRET DIM. AND TOL. PER ASME Y14.5-2009 DO NOT SCALE DRAWING	
FINAL TOP LEVEL ASSEMBLY PART #:	
PRECEDING PART #:	
SUCCEEDING PART #:	
RAW MATERIAL PART #:	
MATERIAL SPEC:	
FILE: C:\Users\Public\Documents\Auto desk\Invento r 2023\Templates\en-US\IGE-A.dwg	



**INNOVATIVE GROWERS
EQUIPMENT**

Address: 421 N. California St Sycamore, IL 60178 (Building 6)
Phone: 1-(815)-991-5010
Email: CAD@innovativegrowersequipment.com

PART

Mobile Clone Cart

SIZE

DWG NO

REV

A

95-000

A

SCALE 1 / 20

SHEET 1 OF 1

REV	DATE	AUTHOR	DESCRIPTION
A	6/27/2022	T.FELTZ	Drawing Released

REVISION HISTORY

2



1